

Microprocessor based control modules designed for easy setting and facilities to link auger into systems with form fill and seal machine, cartoning machines and check weigher "trending" systems.

Permanent performance monitoring feature with instant override should a malfunction stop

Interchangeable tooling permits rapid change to handle different products with "plug in" Augers

Augers can be supplied with special hopper assemblies to permit machines to dose at less than 8" centres if required.

Options to change Auger speed with up to 2,000 r.p.m. depending upon product.

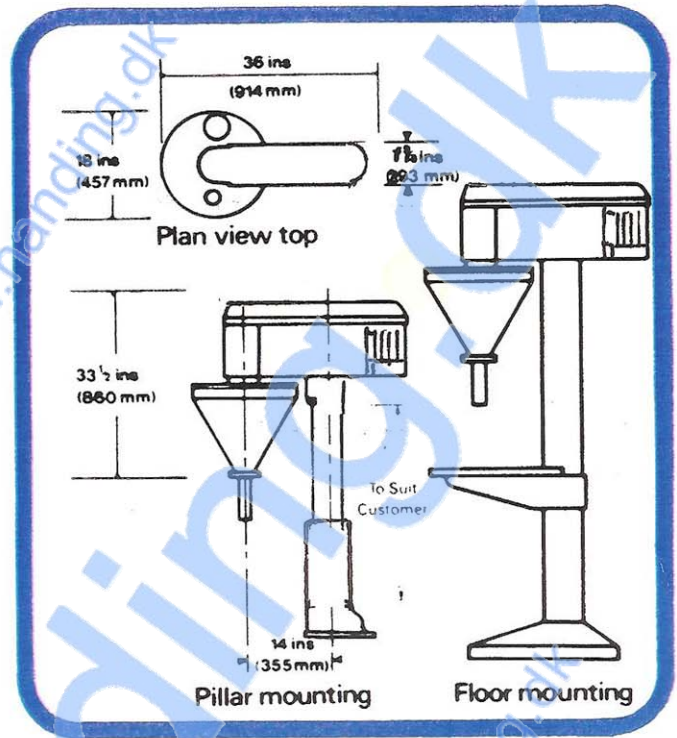
Variety of mounting options, on pillar mount up to 5" (127mm) height adjustment is standard.

A range of special tooling is available to suit product including cut off blades, flap mechanisms and grids.

Control unit is a plug in module that can be mounted on machine or remote to suit site location.

Optional low cost module with simple dose control facility.

Complementary range of bulk feed systems.



auger.



Handing ApS
 Nordkranvej 5-9, Vassingerød
 DK - 3540 Lyngge
 Tel.: +45 48160166
 www.handing.dk

Nordpack Type S2VS

Dette dokument er vejledende
 Der tages forbehold for fejl.
 This document is only guiding.
 We make reservation for possible errors

Alle mål i mm.
 Measures in mm

Lager nr. /tn
F835