

In-Line Super Dispersing Machines

In-Line Machine Type Z66

Ystral In-Line Dispersing machines are suitable for applications of emulsifying, wet milling and homogenizing. Capacity up to 3 kW with peripheral speeds of 21 and 42 m/sec and an output of 200 to 3500 l/h. They have proven their merit in all industries, for example:

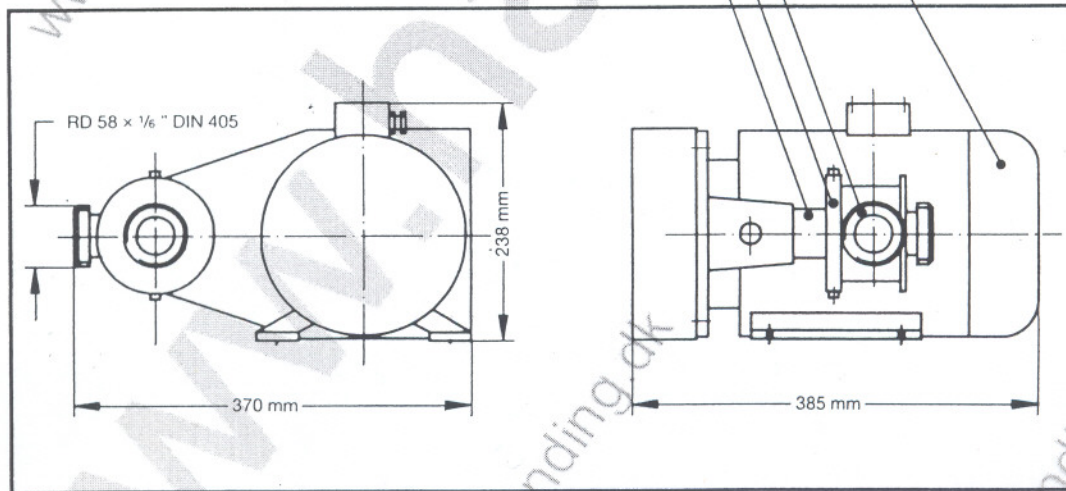
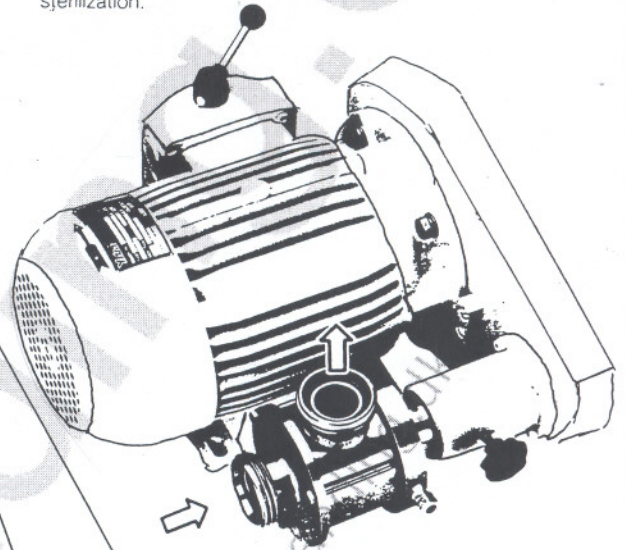
Cosmetic industry
Food industry
Pharmacy industry
Chemical industry

The Ystral Module System enables countless variations for optimum accommodation of differing applications. The wide choice of dispersing elements as well as the wide range of seals and the selection of motor drives

makes this possible. The In-Line process offers the following advantages:

- High output capacity
- Especially effective crushing
- High degree of efficiency
- Dispersing with air exclusion
- Interchangeable dispersing elements
- Dispersing unit removable for sterilization.

Drive	2.4 to 3 kW 220 V / 380 V / 500 V 50 Hz (also EX) (other voltages and frequencies upon request) Two speed 6000 / 12000 r.p.m. Variable speed 2900 to 14300 r.p.m.
Dispersing Chamber	Removable for cleaning interchangeable generators 66 mm dia Stainless steel 1'4401
Seal	Mechanical seal to suit application
Bearing Part	Fully sealed bearings in bearing housing



Technical Characteristics

High quality material, proven construction and stringent quality control guarantee high reliability. All machines are available with fixed or variable speed drives. The technical

data applies to the production types. The Ystral Module System makes it possible to have special constructions for unusual dispersing problems. Ystral's long years of experience and high degree innovations becomes apparent.

Request a quotation for your special requirements.



Handing ApS
Nordkranvej 5-9, Vassingerød
DK - 3540 Lyngø
Tel.: +45 48160166
www.handing.dk

Ystral In-line type Z66

Dette dokument er vejledende.
Der tages forbehold for fejl.
This document is only guiding.
We make reservation for possible errors.

Tegn. Godk.TN

Lager nr.

R201