

www.handing.dk

www.handing.dk

www.handing.dk

www.handing.dk

www.handing.dk

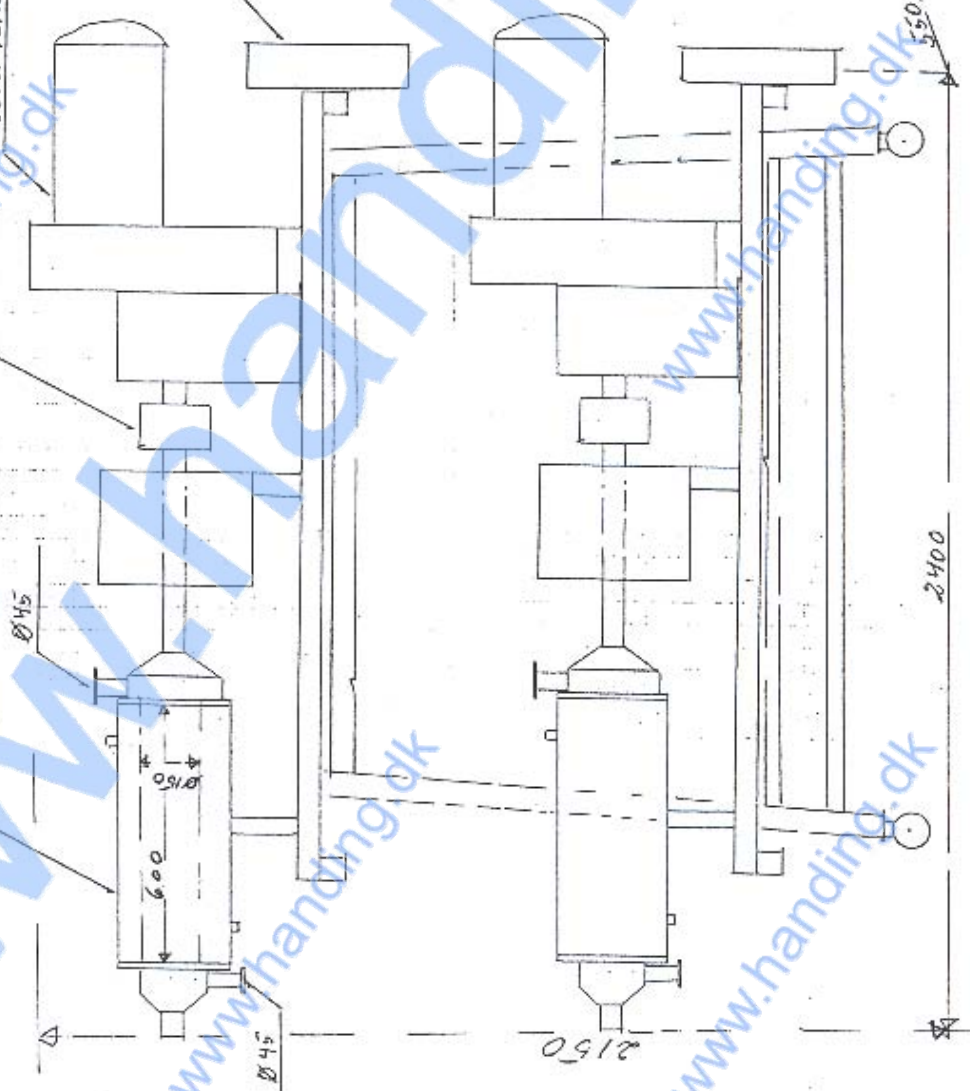
www.handing.dk

Votator

Reeves variatorgear 160 - 640 rpm  
Meter 1730 rpm  
Vells 250-640 sup. 60  
Rimp 108-349

clutch

Steering box



**Handing Aps**  
 Nordkranvej 5-9, Vassingerød  
 DK - 3540 Lyngbe  
 Tel.: +45 48160166  
 www.handing.dk

**VOTATOR 1C 624 L**

Dette dokument er vejledende  
 Der tages forbehold for fejl.  
 This document is only guiding.  
 We make reservation for possible errors

Alle mål i mm.  
 Measures in mm

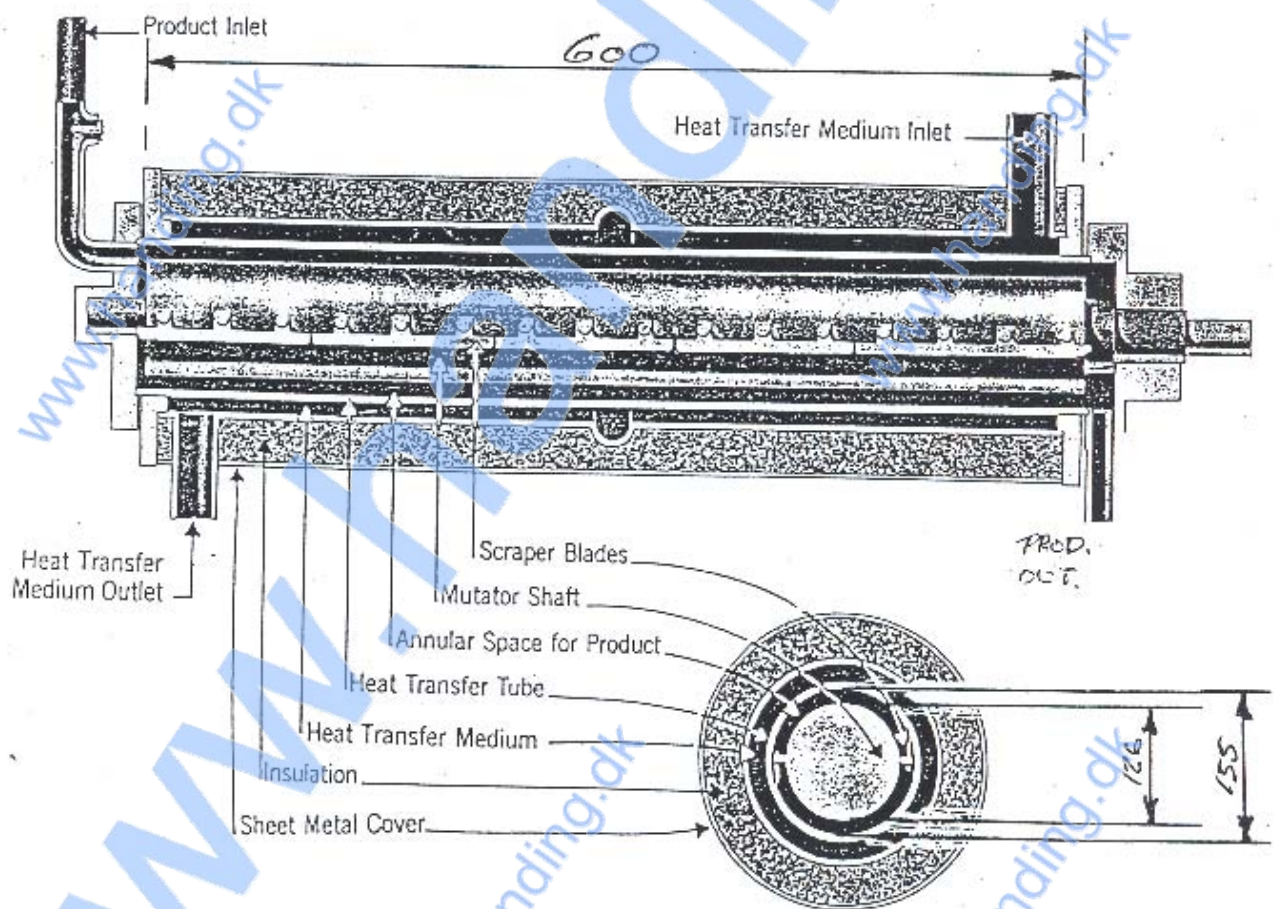
Lager nr.  
**A050**

# Closed System, Continuous Processing

Operation is virtually automatic and completely self-contained. You save labour; refrigeration is more economically used than with any other apparatus; atmospheric moisture and impurities are positively excluded; everything is under mechanical control, and every pound of vegetable shortening is turned out with the same uniform high quality.

Continuous, closed operation with VOTATOR shortening apparatus reduces processing cost and ensures a product of uniform colour and smooth, creamy finish.

*'Votator' is a trade mark (Registered U.S. Patent Office and in many other countries) which applies only to the products of the Girdler Company or their licensees.*



## VOTATOR systems have this heat transfer mechanism

The exclusive, patented VOTATOR heat-transfer mechanism is the most effective known application of the theory that a clean heat-transfer surface, combined with a high ratio of heat-transfer surface to volume of material being treated, gives the best results.

The hot fat is forced through a narrow annular passage, there it contacts the heat-transfer surface as a film.

Revolving scraper blades constantly expose a clean heat-transfer surface to the incoming material. The hot fat is cooled almost instantly as it moves continuously through the tube.



**Handing ApS**  
 Nordkranvej 5-9, Vassingerød  
 DK - 3540 Lyngby  
 Tel.: +45 48160166  
[www.handing.dk](http://www.handing.dk)

## VOTATOR 1C 624 L

Dette dokument er vejledende  
 Der tages forbehold for fejl.  
 This document is only guiding.  
 We make reservation for possible errors

Alle mål i mm.  
 Measures in mm

Lager nr.

**A050**