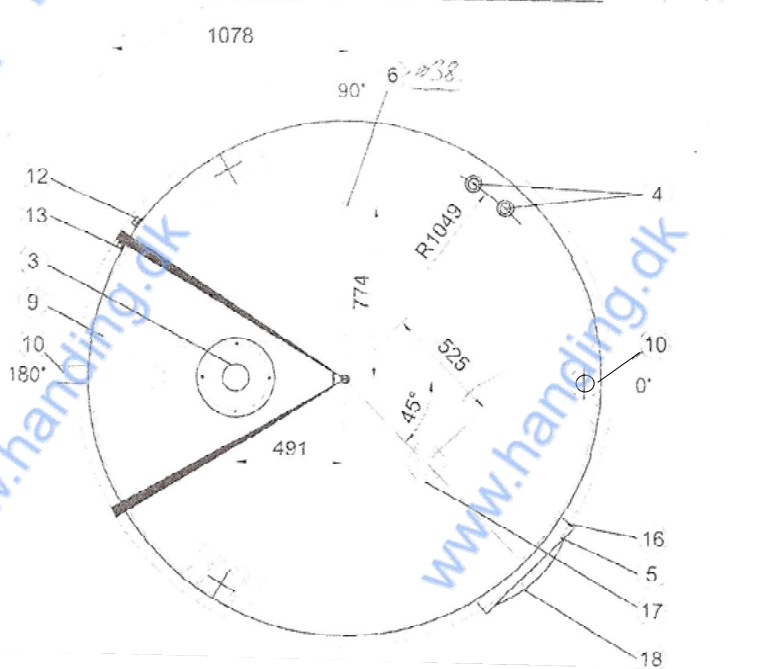
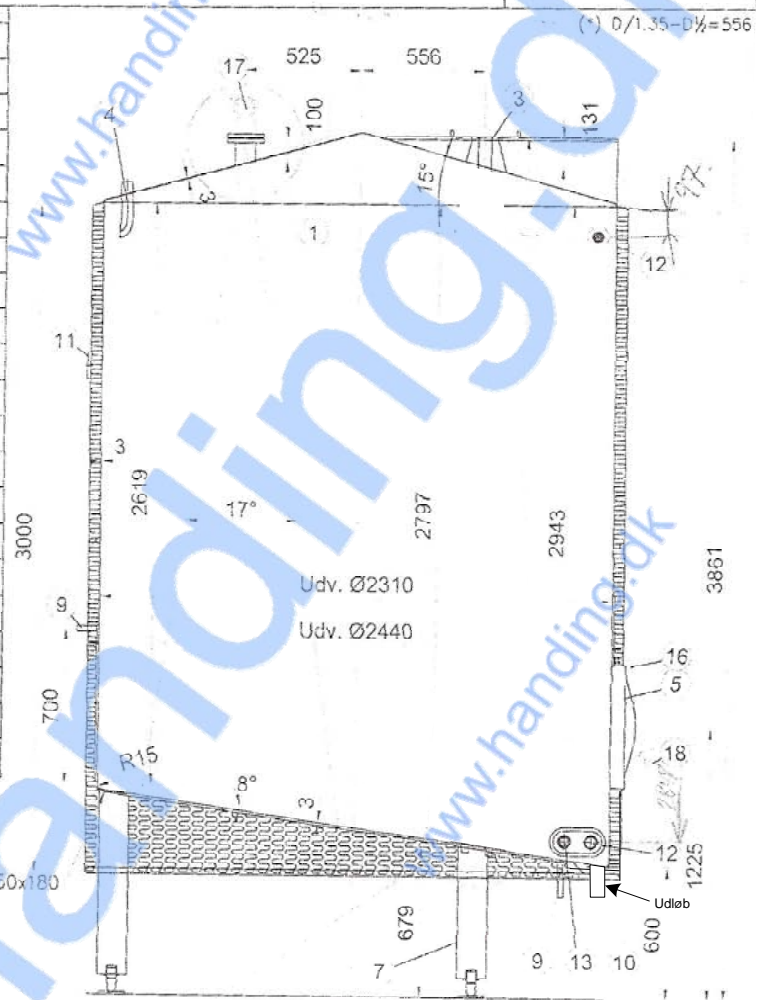


**Gerstenberg
Schröder**

11.300 ltr. Buffer Tank Item 5051

No.	41.165-303	Index	A
Date/Drawn	16-03-05	OS	
App.		Scale:	1:30
Rev./App.			
Project/Country	P2787 - DK		

Part No.	Spec/Comment/Size	Drawing no./Fabricator	Dimensions measured	Height/Pos.
1	Tank, AISI 304 Jacketed, insulated 50mm			
2	Tank cleaning device,			Top
3	Agitator support C = 3150	drw. 41.165-402		
4	Product inlet 2x ø76 L = 200	drw. 37.311		Top
5	Man way			
6	N2 inlet DN40 ø30			Top
7	Leg 3xø154	drw. 41.045		
8	Load Coll	drw. 37.502		Bottom
9	In/outlet, heating jacket, ø25	Inlet Outlet	25" 270"	Bottom
10	Outlet Pipe ø76 (slope 5°)			
11	Base for name plate	drw. 37.867		
12	Welding socket for level switch	drw. 35.613A	190"	
13	Welding socket for PI-100	drw. 35.619A	30"	
14	Weld. flange / level trans. type DR 50 L		60"	
15	Cable pipe			
16	Safety switch			
17	Micropiot M FMR 245, DIN 3527 DN50	DIN 2576 PM10		
18	Sample valve (ball valve DN10)			
19	Disp.			
20	Disp.			
21	Disp.			



Handing ApS
Nordkranvej 5-9, Vassingerød
DK - 3540 Lyngby
Tel.: +45 48160166
www.handing.dk

11.300 liter

Alle mål i mm.
Measures in mm

Dette dokument er vejledende
Der tages forbehold for fejl.
This document is only guiding.
We make reservation for possible errors

Lager nr. /tn
T2601